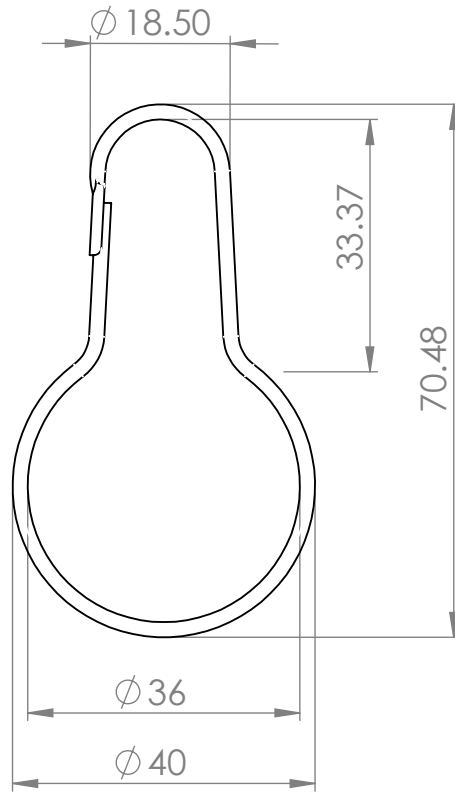
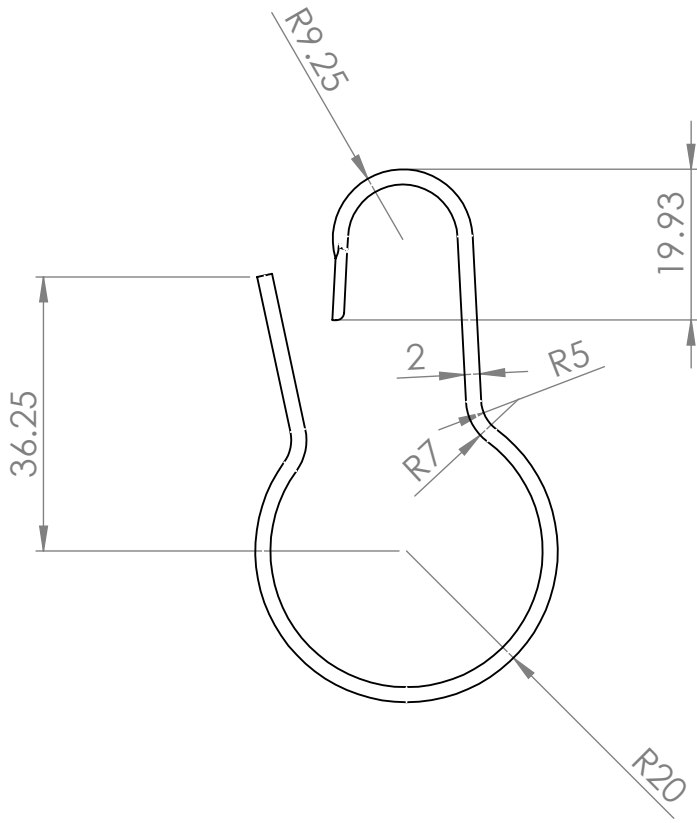


OPEN POSITION

CLOSED POSITION



COPYRIGHT © ALPLAS LTD 2014



Alplas Limited
 Unit 1 Lancaster Business Park Aviation Way
 Southend-on-Sea Essex SS2 6UN UK
 T: +44 (0)1702 541000 E: sales@alplas.com
 F: +44 (0)1702 541100 W: www.alplas.com

ALL DIMENSIONS ARE IN MILLIMETERS

REVISION:

Alplas



DATE: **22/01/2014**

Product Name.

DRAWN BY:
Joe Hood

Pear Clip

MATERIAL:
Steel Plated

Product No. **7065-PCM**

APPROVED BY: DATE APPROVED:

A4