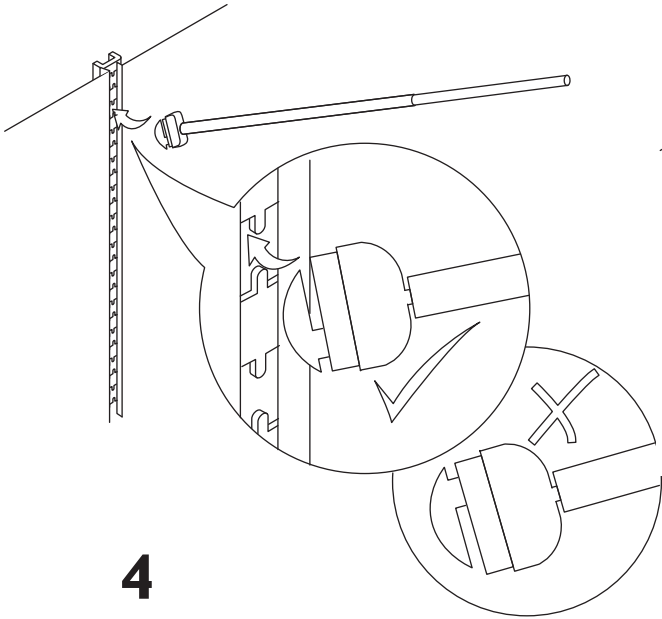
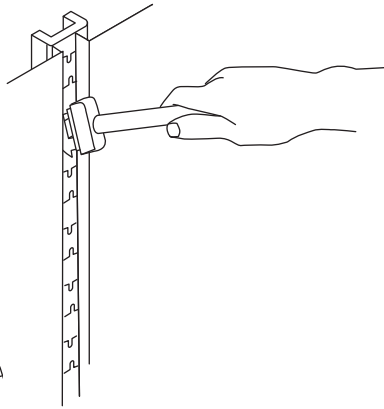


# INSTRUCTIONS

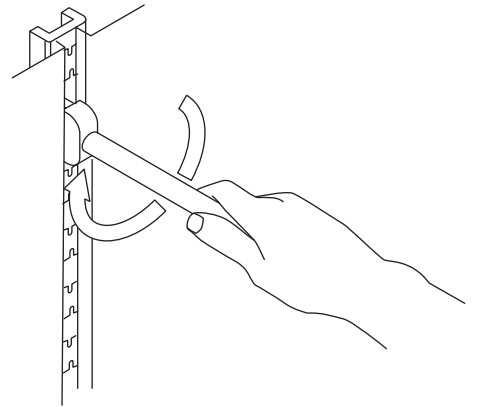
1



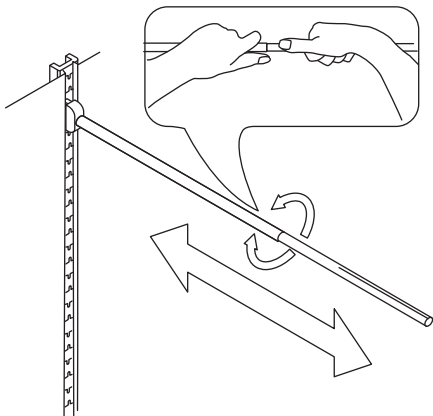
2



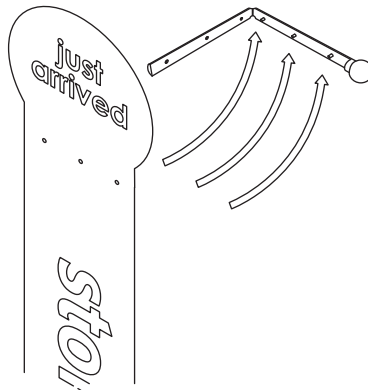
3



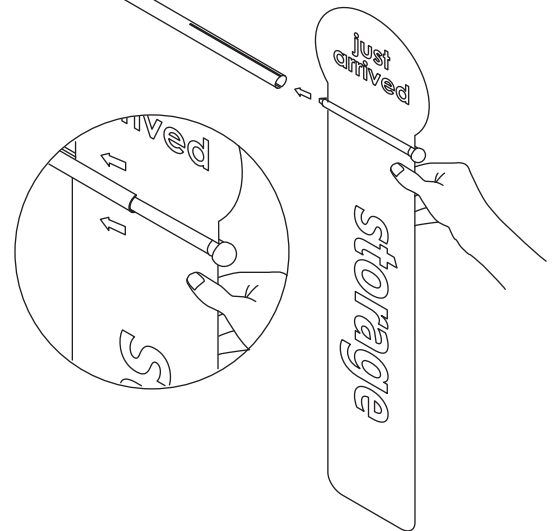
4



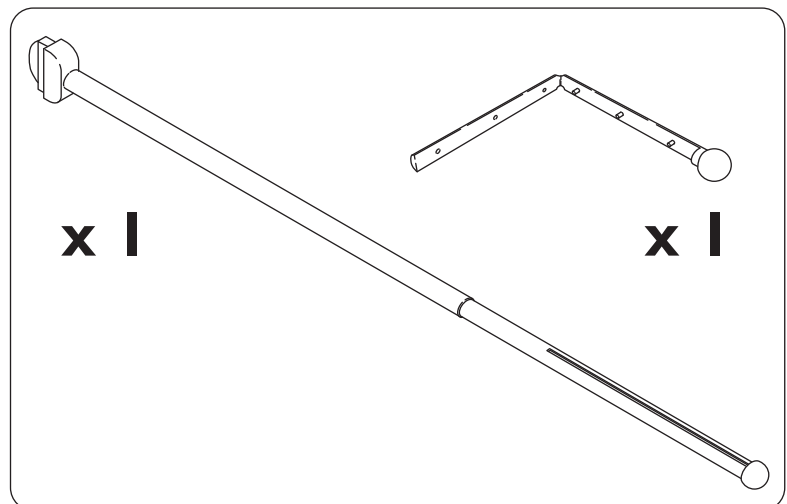
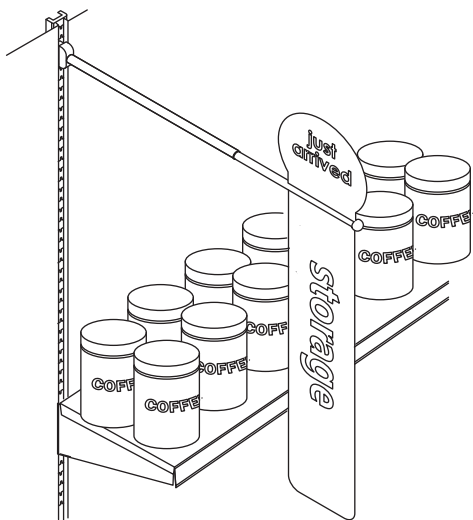
5



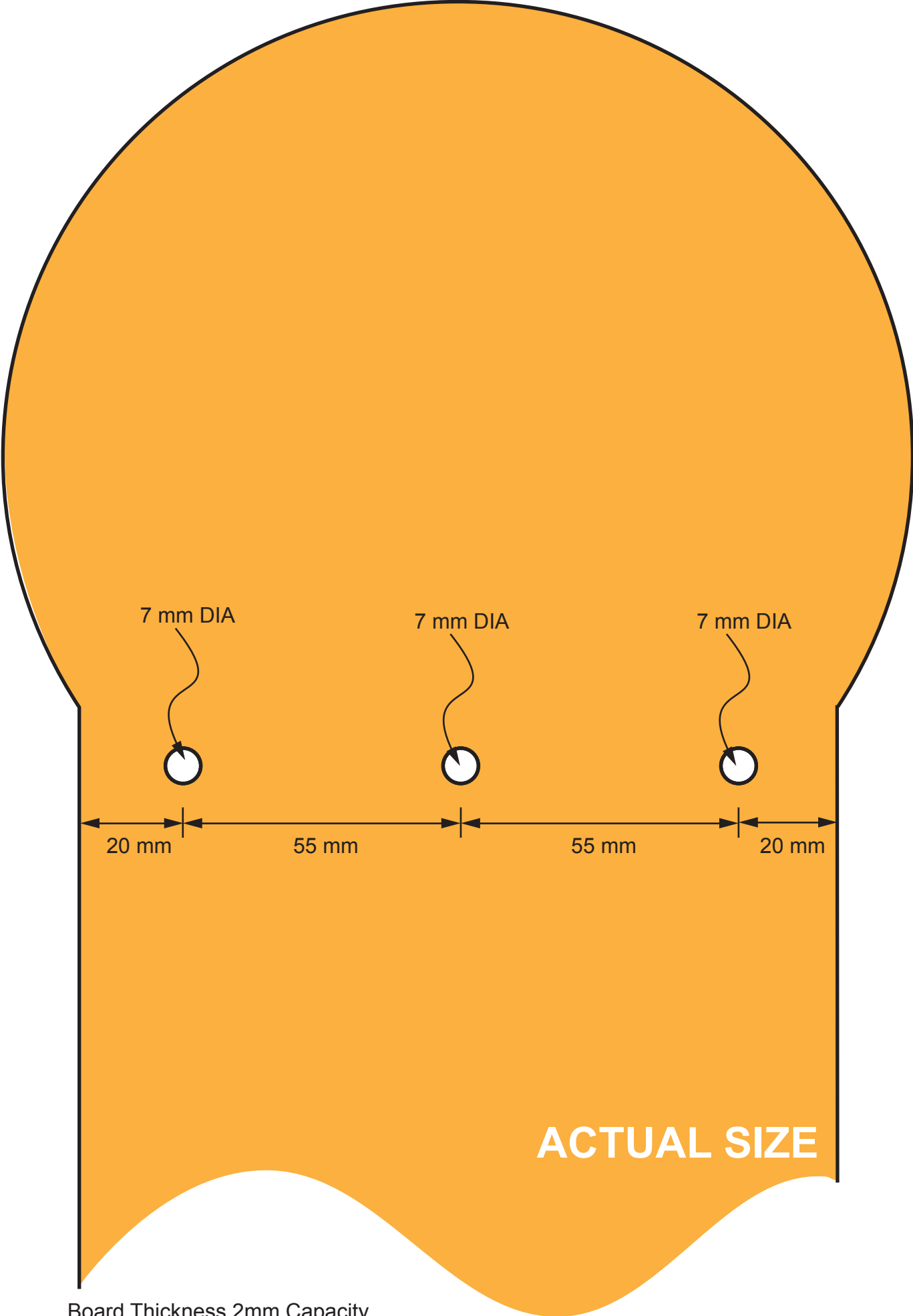
6



7



Die Cut For **PRINTLOCK**



Board Thickness 2mm Capacity